



## FALL OVERBOARD PREVENTION



Photo © Neil Rabinowitz



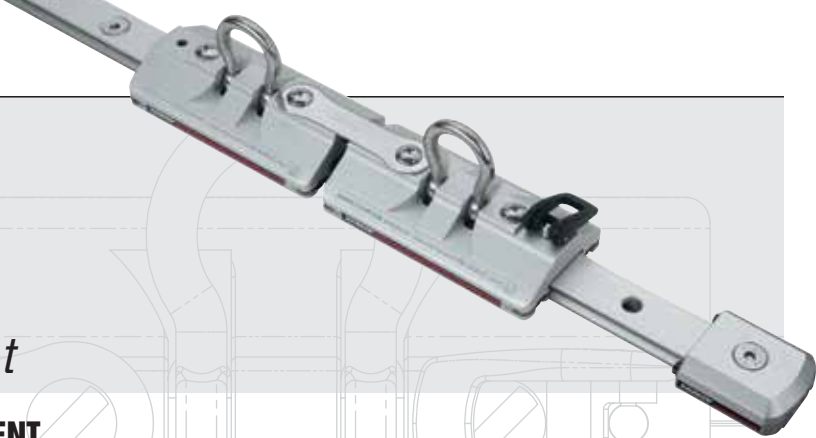


# improving safety while working at height

## WORK AT HEIGHT WITH FREEDOM OF MOVEMENT

The Access Rail system is designed for use as an adjustable anchorage point for rope access and fall arrest. It provides the operator freedom of movement at height and also the ability to lock into position while working. It's ideal for vessel maintenance where the operator needs to be suspended over the side.

Available standard in clear-anodized. A wide range of optional specialty colors are available via request/special order. Ask your Harken Industrial rep for details.



### DESIGN

Lightweight trolleys are constructed of strong, one-piece solid aluminum. The adjustable pinstop allows trolleys to be moved along the rail and locked into a new location.



### OPTIONS

The Access Rail system can be mounted in 3 horizontal planes. A wheel toggle attachment can be used for discrete over-edge parapet and inclined surface installations.



### DURABILITY

Trolleys and rails are available in black hardcoat or clear-anodized finishes for maximum corrosion protection in harsh marine environments.



### INDUSTRY REGULATIONS

27 mm and 32 mm Access Rail systems can be used for human suspension. The rails are independently tested and CE certified under EN795.2012 Type D and meet ANSI Z359, and are OSHA compliant. The trolleys are independently tested and CE certified under EN795.2012 Type B and meet ANSI Z359, and are OSHA compliant.



### LOW MAINTENANCE BALL BEARINGS

Torlon® ball bearings handle high loads, reducing friction so the trolley moves smoothly along the rail. Retaining clips keep ball bearings captive when the trolleys are removed for maintenance.

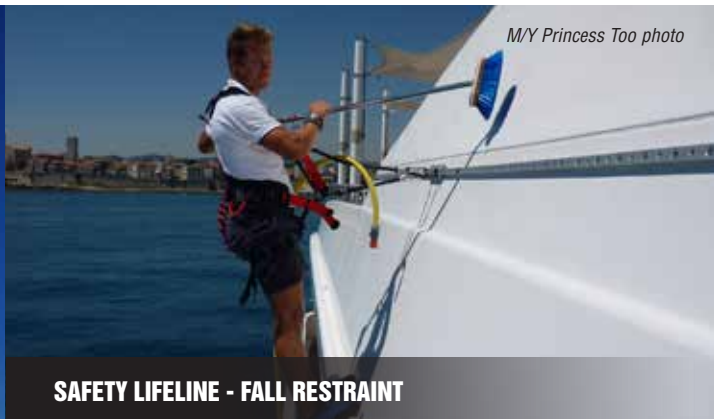
Torlon is a registered trademark of Solvay Advanced Polymers.

Photo © TLC Refit & Repairs



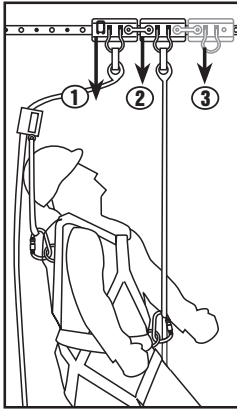
HUMAN SUSPENSION - FALL ARREST

M/Y Princess Too photo



SAFETY LIFELINE - FALL RESTRAINT

## REQUIRED SYSTEM CONFIGURATION



**WARNING!** Avoid personal injury. The Access Rail System must be used with a full body safety harness and/or working harness or chair that meets CE/ANSI EN813 and OSHA support standards.

### ① FULL-BODY SAFETY HARNESS TROLLEY

Use a full-body safety harness attached to access trolley with pinstop. Full-body safety harness must meet CE/ANSI and OSHA support standards.

### ② WORKING HARNESS TROLLEY

Use a working harness or chair attached to access trolley. Working harness or chair must meet CE/ANSI and OSHA support standards.

### ③ TOOL SERVICE TROLLEY

Add an optional trolley and coupler to work as your tool service carrier.

## ACCESS RAIL SYSTEMS BY APPLICATION

Harken Industrial manufactures several rail systems for Architectural and Commercial Marine applications. The following matrix offers a quick method of selecting a rail type based on the work-at-height application.

Industrial rail type	Fall restraint	Fall arrest	Rope access/suspension	Work positioning	Certifications		Static strength* (kN)	Max span between brackets
					EN 795:2012	CEN/TS 16415:2013		
R27	✓	✓	✓	✓	✓	✓	13	0.3 m
R27LS	✓	✓	✓	✓	✓	✓	22	3 m
R32	✓	✓	✓	✓	✓	✓	22	0.3 m
TR31	✓	✓					12	1.3 m

\*Static strength obtained by independent test.

## FAQs

### Q: IS THE HARKEN INDUSTRIAL ACCESS RAIL COVERED BY ANY INDUSTRY LEGISLATION?

**A:** Yes. The rails are independently tested and are EN795.2012 Type D compliant, meet ANSI Z359, and are OSHA compliant. The trolleys are independently tested and CE certified under EN795.2012 Type B, meet ANSI Z359, and are OSHA compliant.

### Q: I ALREADY WORK WITH A RAIL SYSTEM. DO I NEED ADDITIONAL TRAINING TO WORK WITH THE HARKEN INDUSTRIAL ACCESS RAIL?

**A:** Skills learned while working with other rail systems are transferable. However, a short training session to become familiar with the Harken Industrial system is required to ensure safe installation and working practice. Harken Industrial offers an approved installer training course; contact your local Harken Industrial office for more information.

### Q: CAN THE HARKEN INDUSTRIAL ACCESS RAIL BE FITTED RETROACTIVELY?

**A:** Yes. The simplicity of the system means it can be installed on existing buildings.

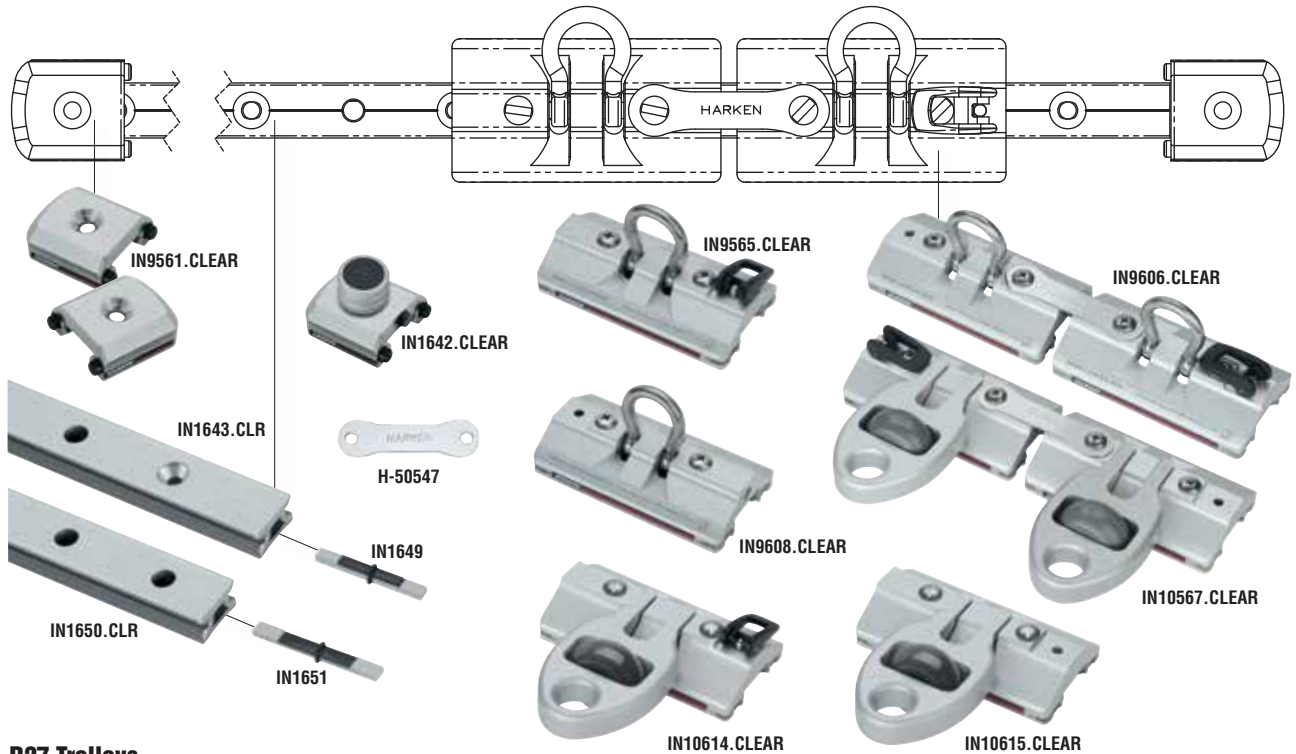
### Q: WHAT BENEFITS DOES THE HARKEN INDUSTRIAL ACCESS RAIL SYSTEM OFFER ME OVER OTHERS?

**A:** The construction and materials used in the Harken Industrial Access Rail have created a stronger system, with smoother linear motion and precise positioning capabilities. The Access Rail is made of anodized, one-piece aluminum components, ensuring corrosion resistance, low maintenance, and a long working life.

## R27 COMPONENTS

### SIMPLE TO USE AND IDEAL FOR VESSEL MAINTENANCE

- Wash downs
- Window cleaning
- Paint touch ups



### R27 Trolleys

Part No.	Description	Length		Width		Fits rail
		in	mm	in	mm	
IN9606.CLEAR*	2-trolley	10 3/4	273	2 3/4	70	IN1643, IN1650
IN10567.CLEAR*	2-trolley with wheel toggle	10 3/4	273	5 15/16	150	IN1643, IN1650
IN9565.CLEAR*	Trolley with pinstop	5 3/16	132	2 3/4	70	IN1643, IN1650
IN9608.CLEAR*	Trolley	5 3/16	132	2 3/4	70	IN1643, IN1650
IN10614.CLEAR*	Trolley with wheel toggle & pinstop	5 3/16	132	5 15/16	150	IN1643
IN10615.CLEAR*	Trolley with wheel toggle	5 3/16	132	5 15/16	150	IN1643

\*To order black hardcoat-anodized, remove .CLEAR from end of part number.

### R27 Rail & Accessories

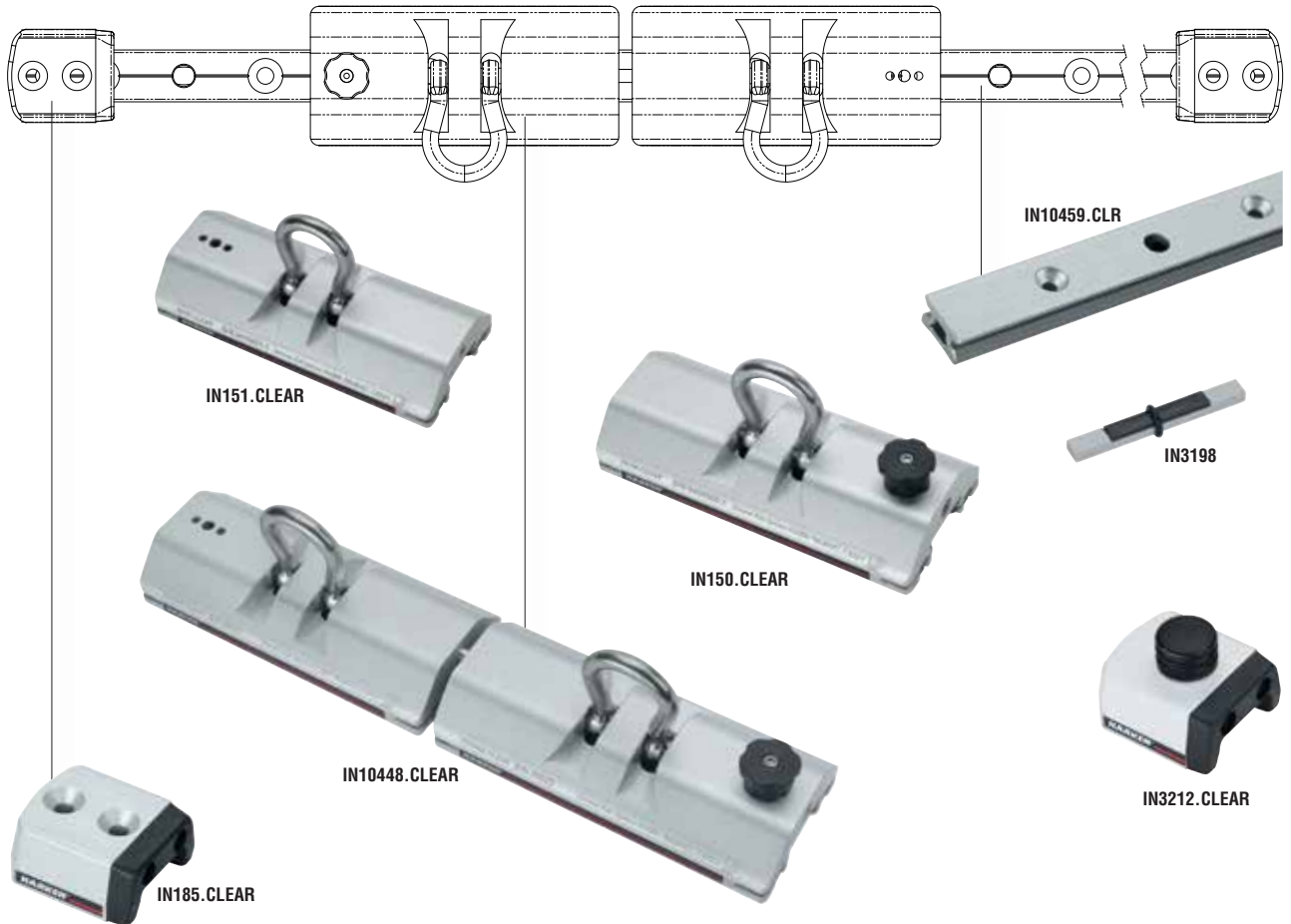
Part No.	Description	Length		Mounting hole spacing		Fasteners		Endstop	Splice link/rail
		ft/in	m	in	mm	in	mm		
IN1643.3M.CLR*	HL rail pinstop, clear	9' 10 1/16"	3	3 15/16	100	5/16 FH	8 FH	IN1642.CLEAR*, IN9561.CLEAR*	IN1649/—
IN1643.3.6M.CLR*	HL rail pinstop, clear	11' 9 3/4"	3.6	3 15/16	100	5/16 FH	8 FH	IN1642.CLEAR*, IN9561.CLEAR*	IN1649/—
IN1643.6M.CLR*	HL rail pinstop, clear	19' 8 1/4"	6	3 15/16	100	5/16 FH	8 FH	IN1642.CLEAR*, IN9561.CLEAR*	IN1649/—
IN1650.3M.CLR*	Rail for SHCS fasteners, clear	9' 10 1/16"	3	3 15/16	100	5/16 SHCS	8 SHCS	IN1642.CLEAR*, IN9561.CLEAR*	IN1651/—
IN1650.3.6M.CLR*	Rail for SHCS fasteners, clear	11' 9 3/4"	3.6	3 15/16	100	5/16 SHCS	8 SHCS	IN1642.CLEAR*, IN9561.CLEAR*	IN1651/—
IN10630.CLR*	HL rail for 3.04 m, 80 mm hole space	9' 11 11/16"	3.04	3 5/32	80	5/16	8		
IN1642.CLEAR*	Endstop with adjustable pin (sold individually)	2 5/16"	59 mm			5/16 FH	8 FH		—/IN1643
IN9561.CLEAR*	Endstops (sold in pairs)	2 1/4"	57 mm						—/IN1650
IN1649	Splice link								—/IN1643
IN1651	Splice link								—/IN1650
H-50547	Coupler plate								Purchase to connect tool trolley

Use only endstops listed above. \*To order black hardcoat-anodized, remove .CLEAR or .CLR from end of part number.

## R32 COMPONENTS

### SIMPLE TO USE AND IDEAL FOR VESSEL MAINTENANCE

- Wash downs
- Window cleaning
- Paint touch ups



### R32 Trolleys

Part No.	Description	Length		Width		Fits rail
		in	mm	in	mm	
IN150.CLEAR*	Single trolley with pinstop	7 3/8	192	3 11/32	85	32 mm
IN151.CLEAR*	Single trolley	7 3/8	192	3 11/32	85	32 mm
IN10448.CLEAR*	2-trolley assembly/coupler	15 3/16	385	3 11/32	85	32 mm

\*To order black hardcoat-anodized, remove .CLEAR from end of part number.

### R32 Rail & Accessories

Part No.	Description	Length		Mounting hole spacing		Fasteners		Endstop	Splice link
		ft/in	m	in	mm	in	mm		
IN10459.CLR*	Pinstop rail for countersunk fasteners	9' 10 1/16"	3	3 15/16	100	3/8 FH	10 FH	IN3212, IN185	IN3198
IN3198	Splice link	3"	76 mm	Purchase one splice link for each rail joint.					
IN3212.CLEAR	Removable endstop	2 9/16"	65 mm	Purchase one endstop for each end of system rail.					
IN185.CLEAR*	32 mm rail endstop	2 9/16"	65 mm	Purchase one endstop for each end of system rail.					

Use only endstops listed above. \*To order black hardcoat-anodized, remove .CLEAR or .CLR from end of part number.



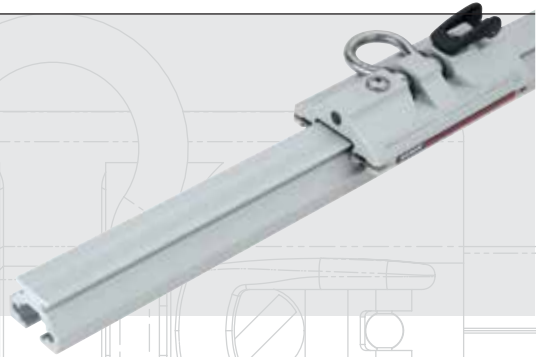
**HARKEN INDUSTRIAL EXCEPTION:** The Access Rail system may be used for human suspension.

**WARNINGS AND INSTRUCTIONS.** You must carefully read, understand, and follow all of the warnings and instructions in the manual provided by Harken Industrial in order to avoid an accident. Never, under any circumstances, exceed the maximum rated load.

# LONG-SPAN



HARKEN



## LONG-SPAN VERSION OF CLASSIC R27 RAIL SYSTEM DEVELOPED

The Long-Span Access Rail (R27LS) was developed as an alternative to its flagship R27 Classic Access Rail system. The R27LS has a more robust profile than the classic system, allowing it to handle longer spans without compromising strength. Support brackets are offered in a variety of styles for ease of installation, and for mounting on surfaces of different types and configurations.

Available standard in clear-anodized. A wide range of optional specialty colors are available via request/special order. Ask your Harken Industrial rep for details.

### ENGINEERED FOR DIVERSE APPLICATIONS

The R27LS is used as a horizontal rail system in many fields (industrial, architectural, civil, etc.) to create a rigid mobile anchor for fall protection and rope access systems.



### PROVEN TROLLEY ASSEMBLY

The Long-Span Access Rail uses the proven R27 ball bearing trolley assembly for freedom of movement under load.

### LONGER SPAN REDUCES COST

The longer span between brackets reduces installation costs: 3 m (9.84') span for fall protection; as much as 1.5 m (4.90') for rope access.

### MULTIPLE USERS

The R27LS is certified to support as many as four users on a single span for fall protection and two users for rope access.



### LOW-PROFILE ALUMINUM AND STAINLESS STEEL BRACKETS

Low-profile, corrosion-resistant brackets of extruded T6082 anodized-aluminum or polished stainless steel mount on a variety of surfaces.

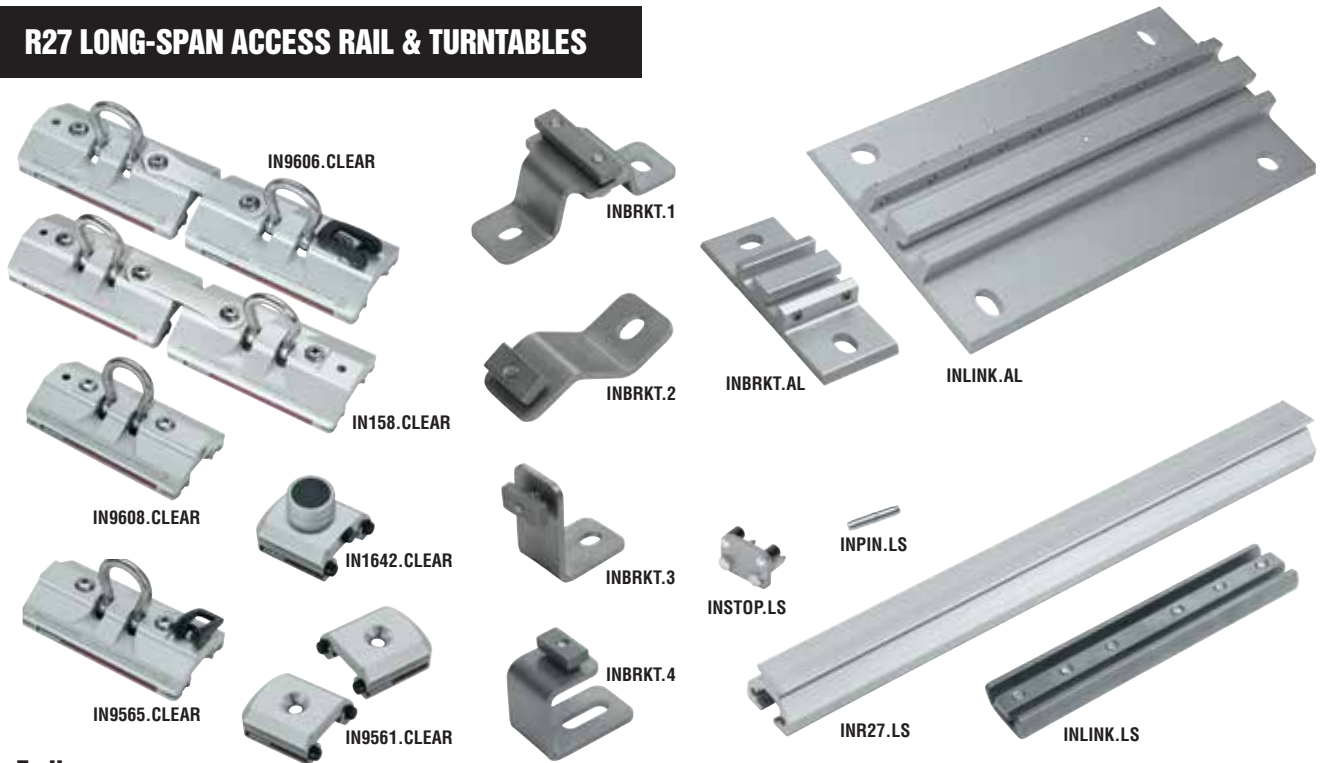


### INDUSTRY REGULATIONS

The Long-Span Access Rail is independently tested and compliant with EN795:2012 Class D, CEN/TS 16415, UNI11578, meets ANSI Z359, and is OSHA compliant.



## R27 LONG-SPAN ACCESS RAIL & TURNTABLES



### Trolleys

Part No.	Description	Length		Width		Fits rail
		in	mm	in	mm	
IN158.CLEAR*	2-trolley without pinstop	10 3/4	273	2 3/4	70	IN1643, IN1650, R27.LS
IN9606.CLEAR*	2-trolley**	10 3/4	273	2 3/4	70	IN1643, IN1650, R27.LS
IN9608.CLEAR*	Trolley	5 3/16	132	2 3/4	70	IN1643, IN1650, R27.LS
IN9565.CLEAR*	Trolley with pinstop	5 3/16	132	2 3/4	70	IN1643, IN1650, R27.LS

\*To order black hardcoat-anodized, remove .CLEAR from end of part number. \*\*IN9606 and IN158 trolleys do not work with turntables.

### Rail

Part No.	Description	Material	Length		Weight kg/m
			ft/in	m	
INR27.LS	Long-span rail, clear*	Anodized aluminum	9' 10 1/16"	3	1.7

\*Available standard in clear-anodized. A wide range of optional specialty colors are available via request/special order. Ask your Harken Industrial rep for details.

### Mounting Accessories

Part No.	Description	Material	Fasteners		
			in	mm	Includes
INBRKT.1	Bracket "C"*	Stainless steel	3/8 - 7/16	M10 - M12	1 bracket, 1 double-hole insert, 2 screws, 2 washers
INBRKT.2	Bracket "S"*	Stainless steel	3/8 - 7/16	M10 - M12	1 bracket, 1 single-hole insert, 1 screw, 1 washer
INBRKT.3	Bracket "L"*	Stainless steel	3/8 - 7/16	M10 - M12	1 bracket, 1 single-hole insert, 1 screw, 1 washer
INBRKT.4	Bracket "C"*	Stainless steel	3/8 - 7/16	M10 - M12	1 bracket, 1 single-hole insert, 1 screw, 1 washer
INLINK.LS	Structural connector	Stainless steel			1 complete connector, 2 INPIN.LS
INBRKT.AL	Low-profile bracket	Anodized aluminum	3/8 - 7/16	M10 - M12	1 bracket, 2 stud screws
INLINK.AL	Low-profile connector	Anodized aluminum	3/8 - 7/16	M10 - M12	1 connector, 10 stud screws, 2 INPIN.LS
INSTOP.LS	Fixed endstop	Stainless steel	3/8 - 7/16	M10 - M12	1 endstop, 2 M6 self-threading screws
IN1642.CLEAR** ‡	Endstop with adjustable pin (sold individually)				
IN9561.CLEAR ‡	Endstops (sold in pairs)		5/16 FH	8 FH	
INPIN.LS	Alignment pin	Stainless steel			1 pin (order 2 INPIN.LS for each rail section)

\*Mounting bracket centers: Fall Arrest: 3 meters; Rope Access/Suspension: 1.5 meters.

\*\*To mount this endstop, drill and tap a hole for M8 threads on the rail.

‡To order black hardcoat-anodized, remove .CLEAR from end of part number.



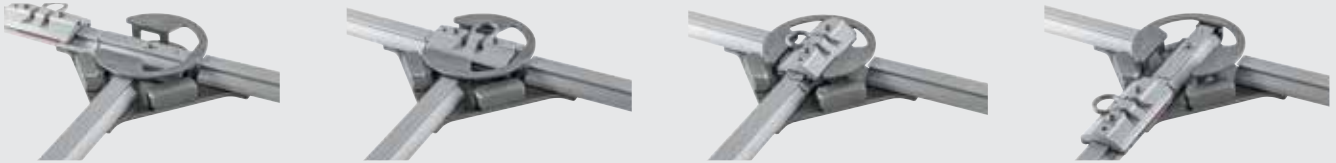
**HARKEN INDUSTRIAL EXCEPTION: The Access Rail system may be used for human suspension.**

**WARNINGS AND INSTRUCTIONS.** You must carefully read, understand, and follow all of the warnings and instructions in the manual provided by Harken Industrial in order to avoid an accident. Never, under any circumstances, exceed the maximum rated load.

## R27 LONG-SPAN ACCESS RAIL TURNTABLES

### OPTIONAL TURNTABLES

Turntables allow users to easily change trolley directions without disconnecting from the rail system. INTURN1.LS allows 90° directional changes. INTURN2.LS is designed for 'T' rail layouts and 180° or 90° directional changes. Both options are certified to EN795 – 2012 Class D; meet ANSI Z359, and are OSHA compliant.



Trolley directional change using turntable.



INTURN1.LS



INTURN2.LS

Part No.	Description	Material	Mounting accessories	Includes
INTURN1.LS	Turntable "L"	Aluminum/Stainless Steel	All R27 LS brackets	4 INPIN.LS
INTURN2.LS	Turntable "T"	Aluminum/Stainless Steel	All R27 LS brackets	6 INPIN.LS

Double trolleys (IN9606.CLEAR) cannot be used with the turntable. Two single trolleys must be used.



**HARKEN INDUSTRIAL EXCEPTION:** The Access Rail system may be used for human suspension.

**WARNINGS AND INSTRUCTIONS.** You must carefully read, understand, and follow all of the warnings and instructions in the manual provided by Harken Industrial in order to avoid an accident. Never, under any circumstances, exceed the maximum rated load.

### REGIONAL SALES AND OPERATIONS

#### USA

Harken USA - Corporate  
Headquarters  
Pewaukee, Wisconsin  
+1 262 691 3320  
infoUSA@harkenindustrial.com

#### ITALY

Harken Italy S.p.A  
Limido Comasco (CO), Italy  
+39 031 3523511  
industrial@harken.it

#### UK

Harken UK Ltd.  
Lymington, Hampshire  
+44 01590 689122  
info@harkenindustrial.com

### HARKEN INDUSTRIAL-OWNED DISTRIBUTORS

#### AUSTRALIA

Harken Australia Pty, Ltd.  
+61 2 8978 8666  
info@harken.com.au

#### FRANCE

Harken France  
+33 5 46 44 51 20  
pierre@harken.fr

#### NEW ZEALAND

Harken New Zealand Ltd  
+69 9 303 3744  
harken@harken.co.nz

#### POLAND

Harken Polska Sp. z o.o.  
+48 22 561 93 93  
polska@harken.pl

#### SWEDEN

Harken Sweden AB  
+46 8 222200  
harken@harken.se  
www.harken.se

### HARKEN INDUSTRIAL-OWNED TRAINING RESOURCES

#### ELEVATED SAFETY

4044 N Lincoln Ave, Suite 301  
Chicago, IL 60618  
+1 866 819 2194  
info@elevatedsafety.com

For a complete list of Harken Industrial distributors, dealers and certified installers please visit [www.harkenindustrial.com](http://www.harkenindustrial.com).

